

# OHIO GREEN ENERGY POLICY CONFERENCE

## Off Shore Wind Development

Columbus, Ohio

May 4, 2017

Chris M. Pirik, Esq.

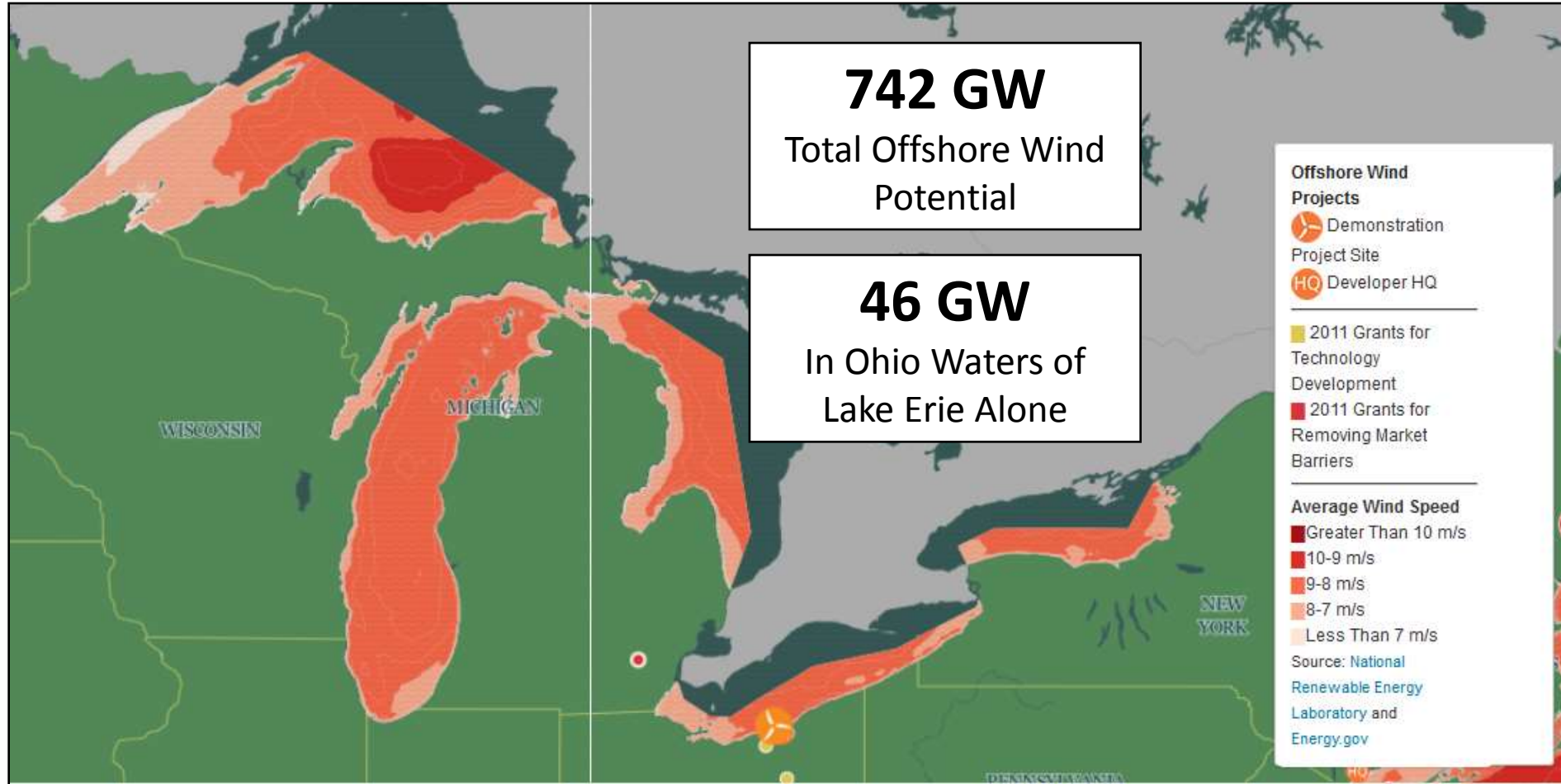
Dickinson Wright, PLLC

150 E. Gay Street, Suite 150

Columbus, Ohio 43215

[cpirik@dickinsonwright.com](mailto:cpirik@dickinsonwright.com)

# We Have a Huge Wind Resource



# Offshore Wind Advantages

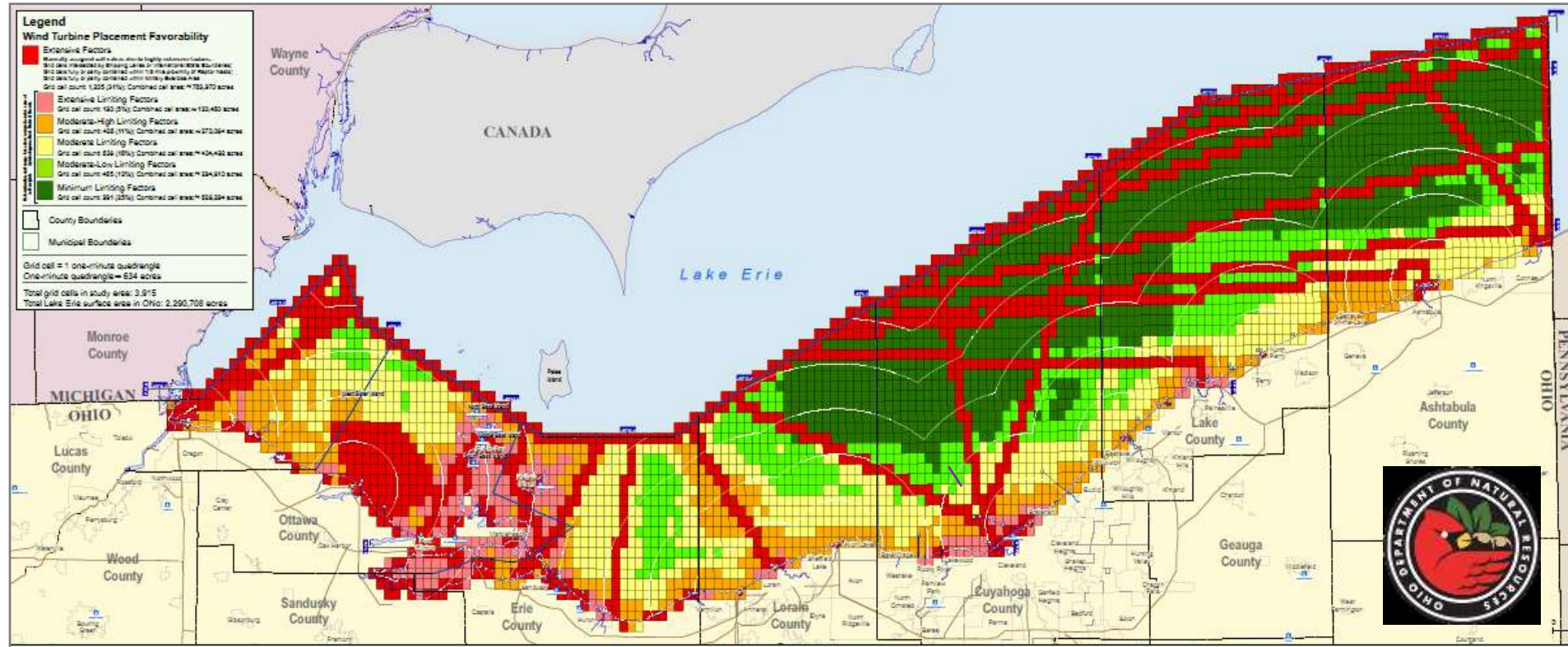
- Stronger Winds
  - More Consistent
  - No Noise, Shadow Flicker
  - Less Visual Impact
  - Close to Load (less transmission needed)
- 
- Onshore wind faces roadblocks in Ohio



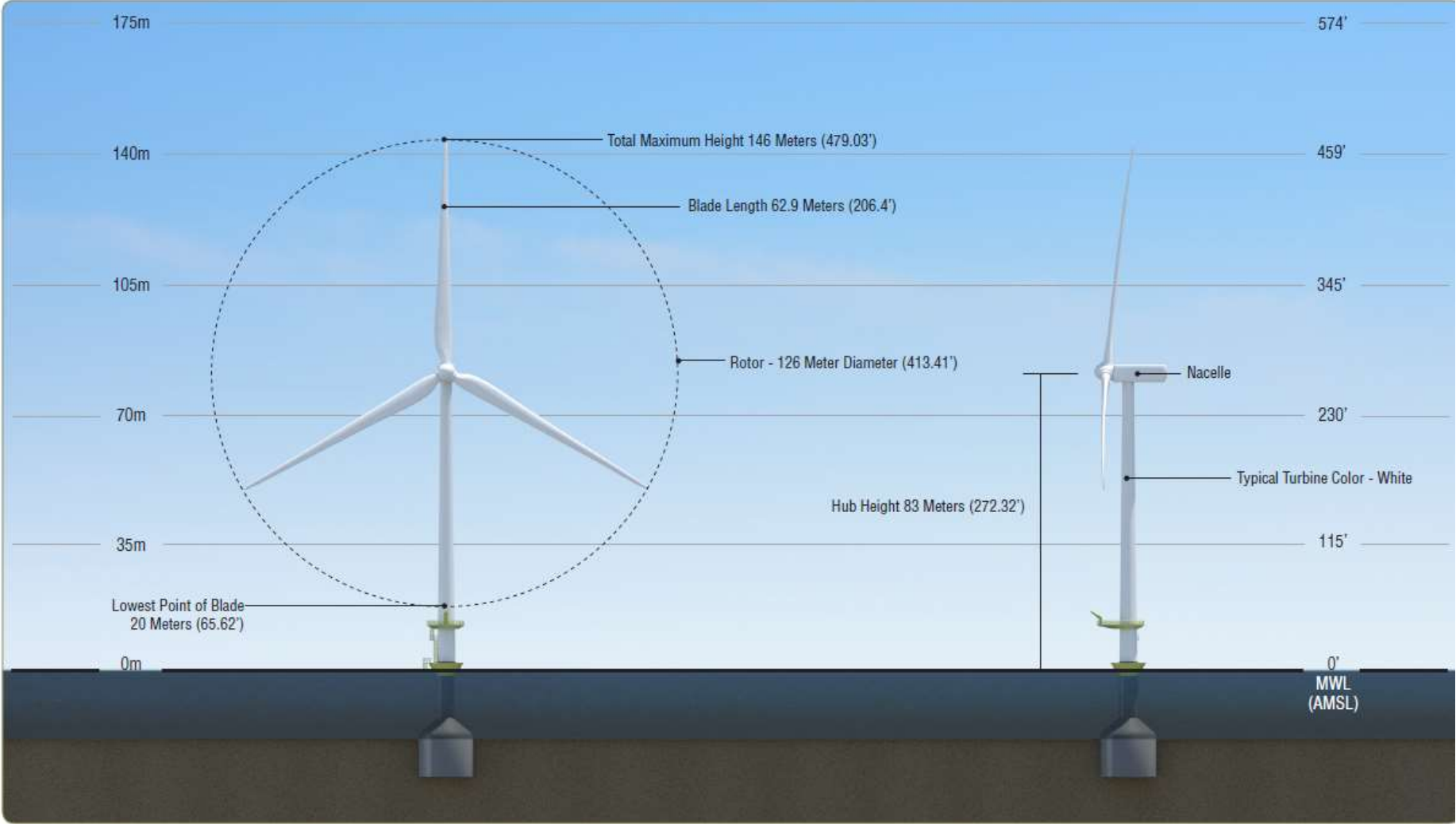
# Icebreaker Wind Demo Project



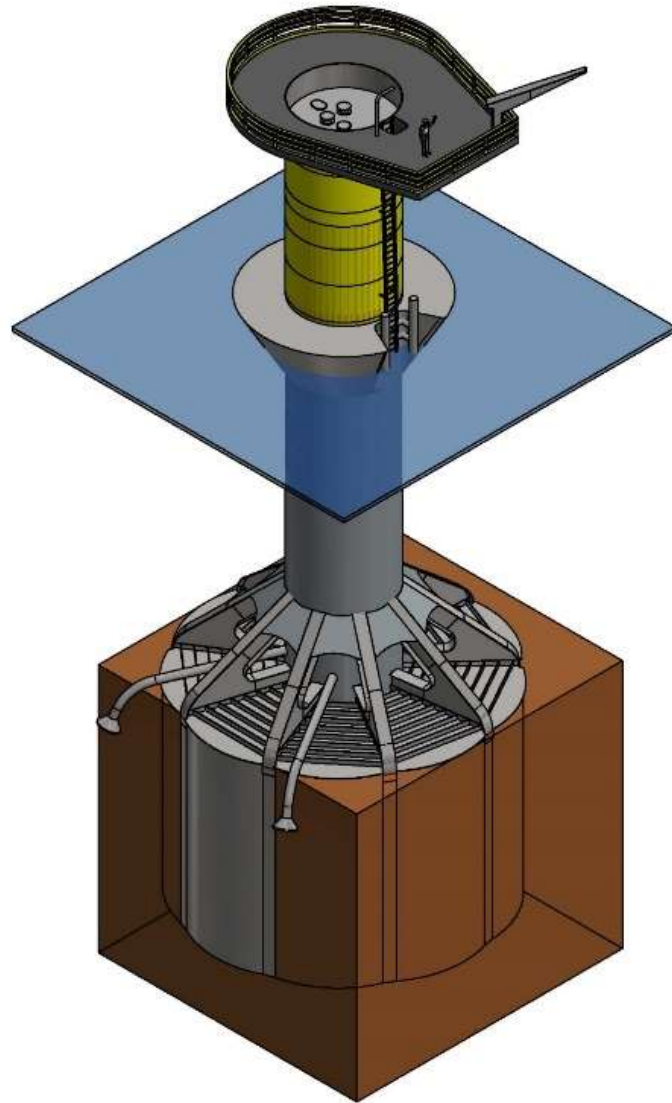
# ODNR Wind Turbine Placement Favorability Analysis



# Icebreaker Turbine & Foundation



# Innovative Mono Bucket



# Low Risk to Birds and Bats



- Small project (6 turbines) minimizes risk
- No threatened or endangered species at site
- Migratory birds 2-2.5 X greater over land and 7 X greater over eastern basin than at site
- Few raptors or waterbirds 8-10 miles offshore
- Demonstration Project to Study Impacts
- Adaptive Management
- Important Information for Future Projects



# Low Risk to Fish & Aquatic Species



- Project in a Dead Zone - minimal fish activity
- Well away from fish spawning or key habitat
- Agreement with ODNR on sampling plan
- European wind farms show positive benefits
- Vessel/boat traffic will not be limited
- Turbines can be boater's refuge in an emergency

# Get Involved: Support Icebreaker Wind



- Send an email or a letter to the OPSB:

Email: [contactOPSB@puc.state.oh.us](mailto:contactOPSB@puc.state.oh.us)

Mail: Ohio Power Siting Board, 180 E. Broad Street, Columbus Ohio 43215

- Must include the case number: **16-1871-EL-BGN Icebreaker Windpower**
- Attend an OPSB public hearing

- Send an email or letter to the U.S. DOE

- Tell your friends & family

